

## 3A Single Phase Single Pole Socket Type EMI Filter

Mod.: CW2C-3A-T

### Description:

Available for portable electronic equipments and measuring instruments, and apply to consumer goods, single phase power supplies, switch-mode power supplies, and Medical equipment and medical typical applications, low leakage current.

### Technical Parameters:

**Rated Voltage:** 125/250VAC or customized

**Operation Frequency:** 50/60Hz

**Rated Current:** 1-10A

**Hi-pot Test:** 1450VDC, 2 sec (Line to Line)

2250VDC, 2 sec (Line to Ground)

**Climate Category:** 25/85/21 (-25°C to +85°C)

**Design corresponding to UL1283, CSA22.2 NO.8 1996, IEC/EN 60939**

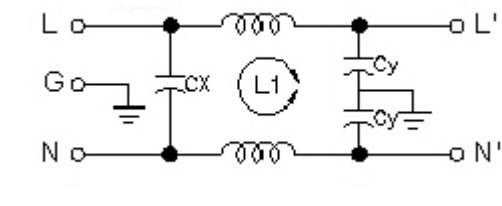
**Rated Current (A):** 3

**L (mH):** 2 x 1.8

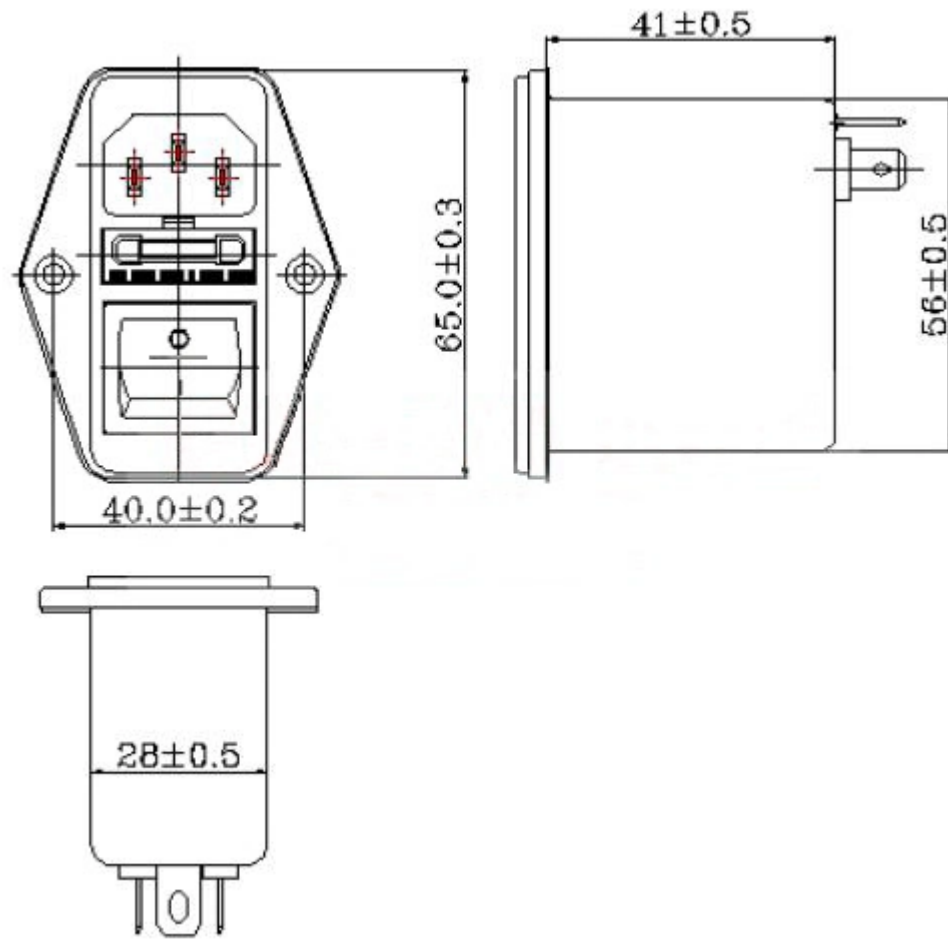
**Cx(uF):** 0,1

**Cy(nF):** 2 x 3.3

### Electrical Schematic



Outline Dimension



Manufacturer: Wenzhou Reelen Electrical Co., Ltd.